

Lead stack with placement tubes for Californium-252 source

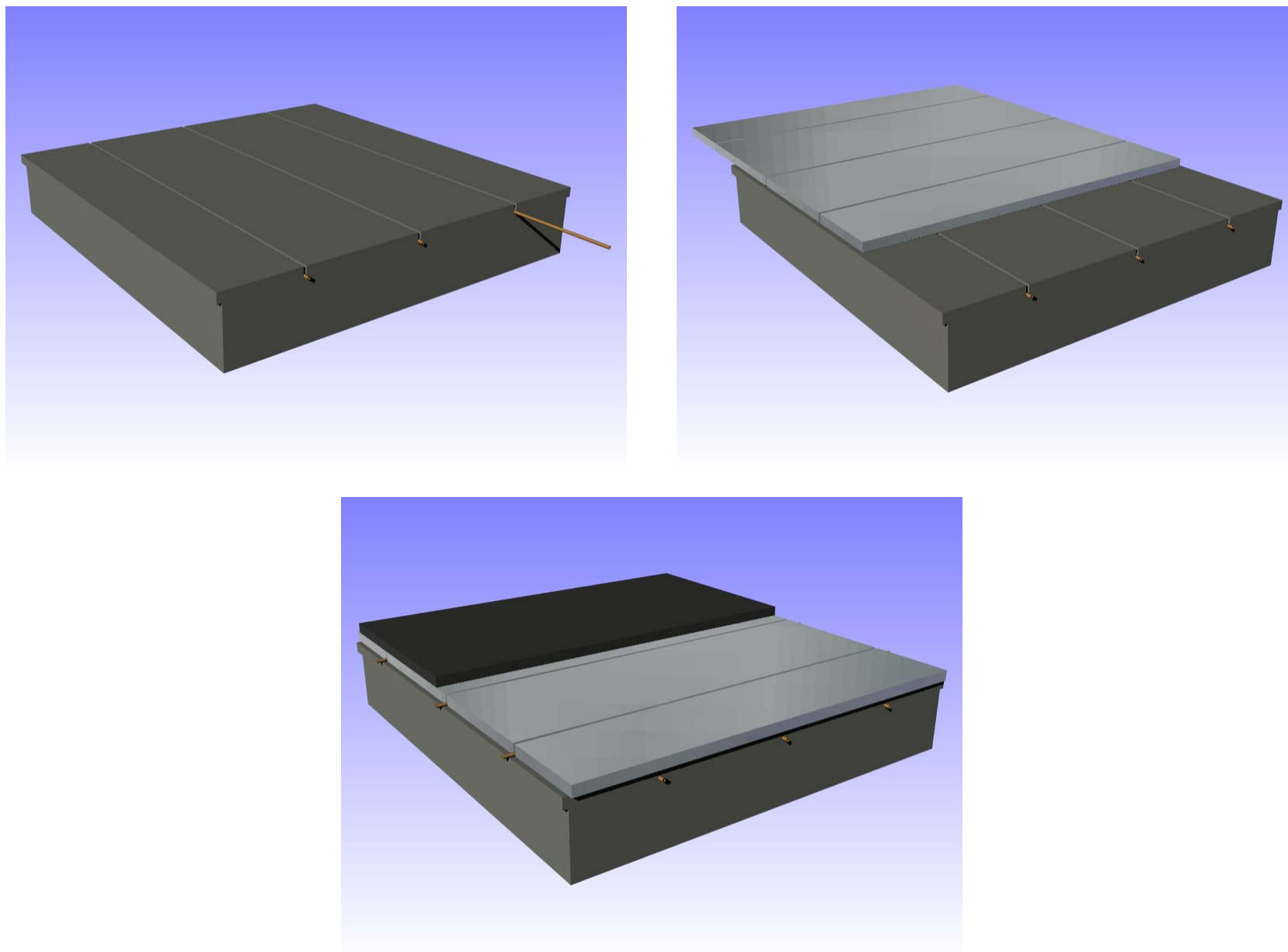
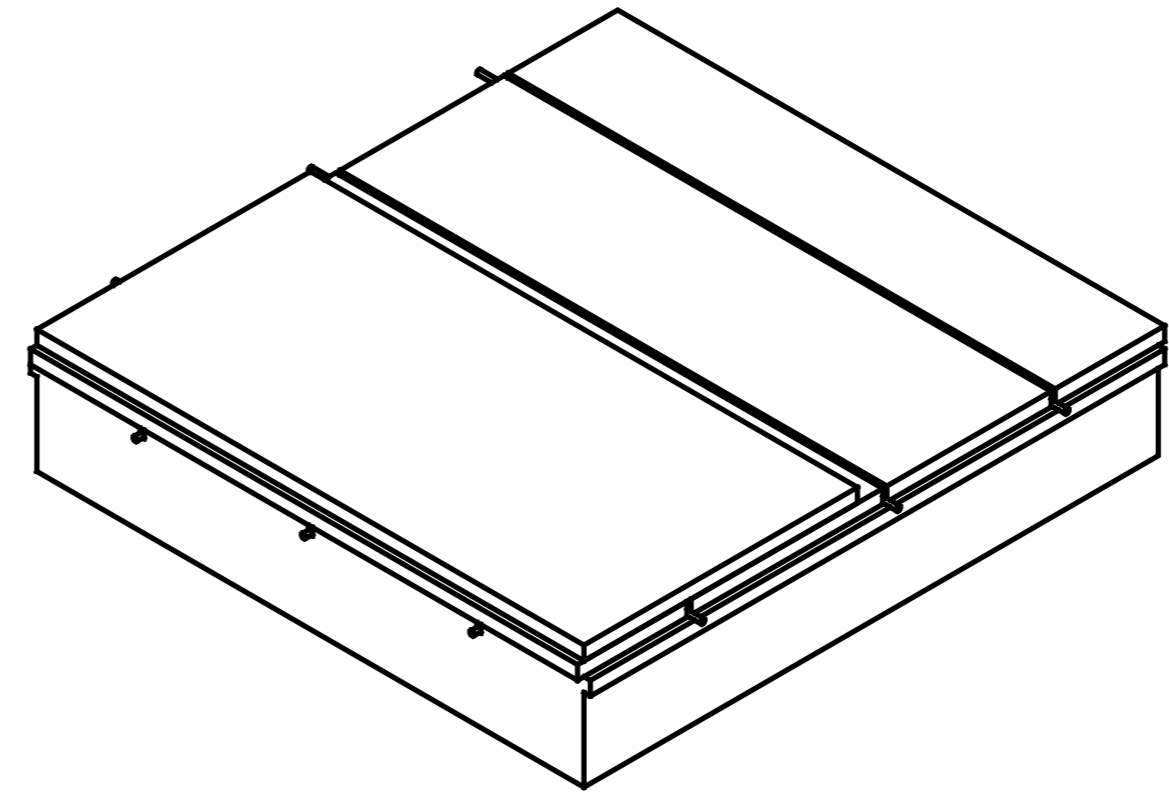
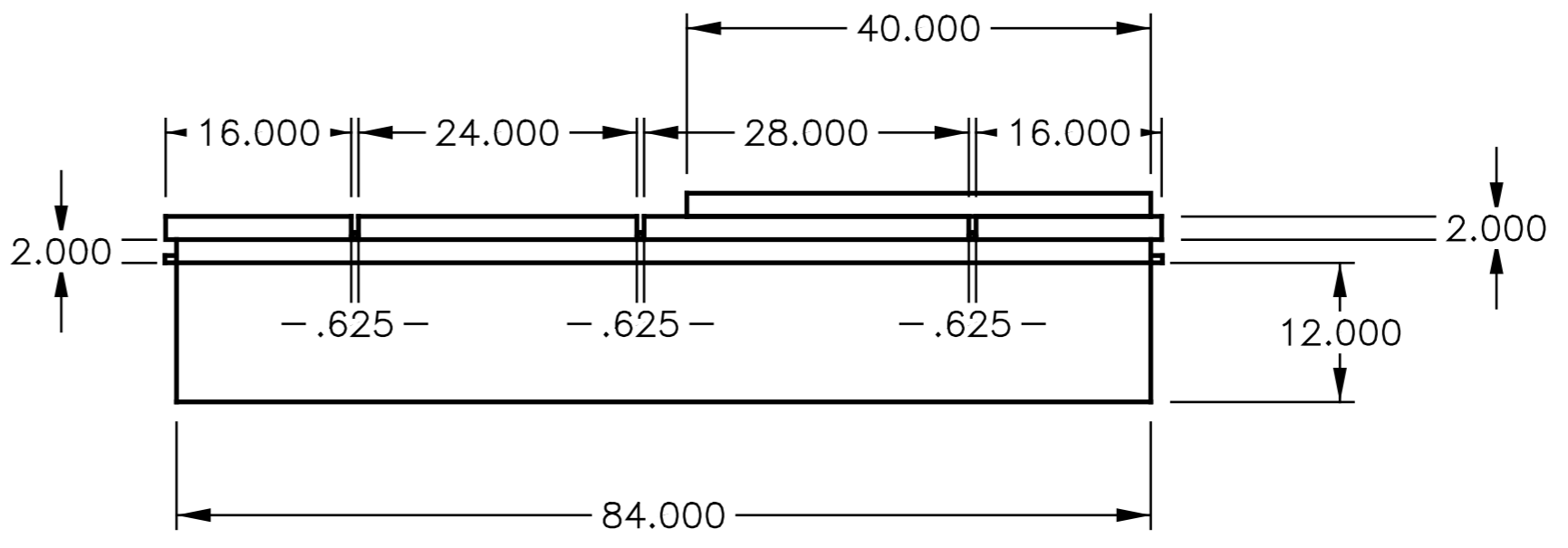
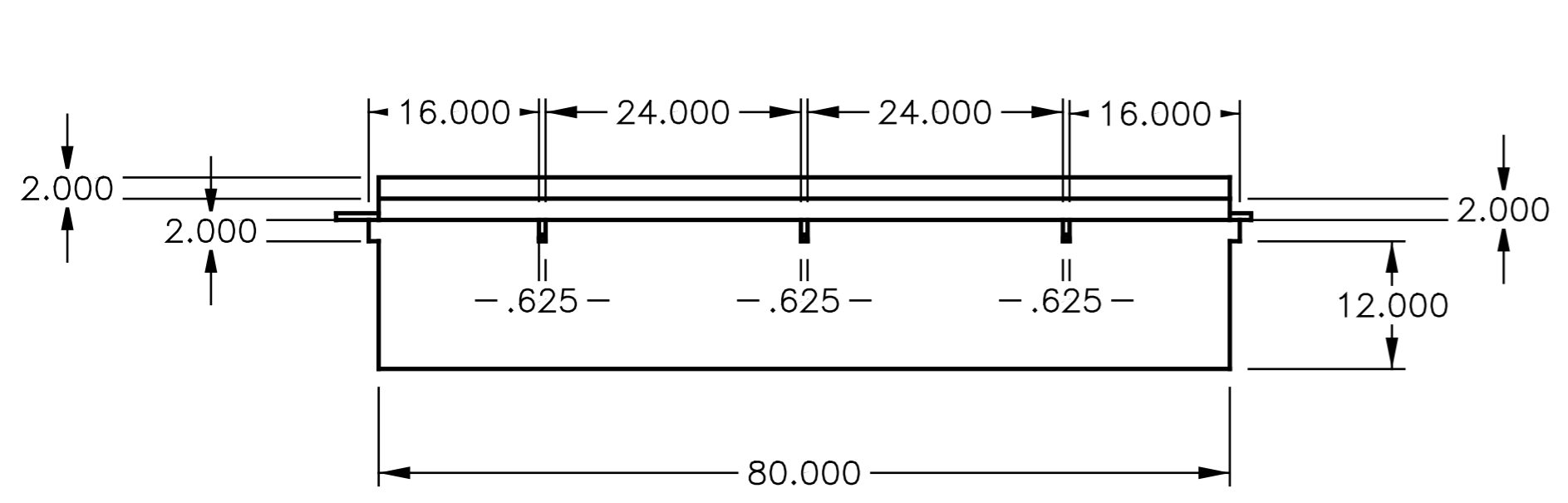
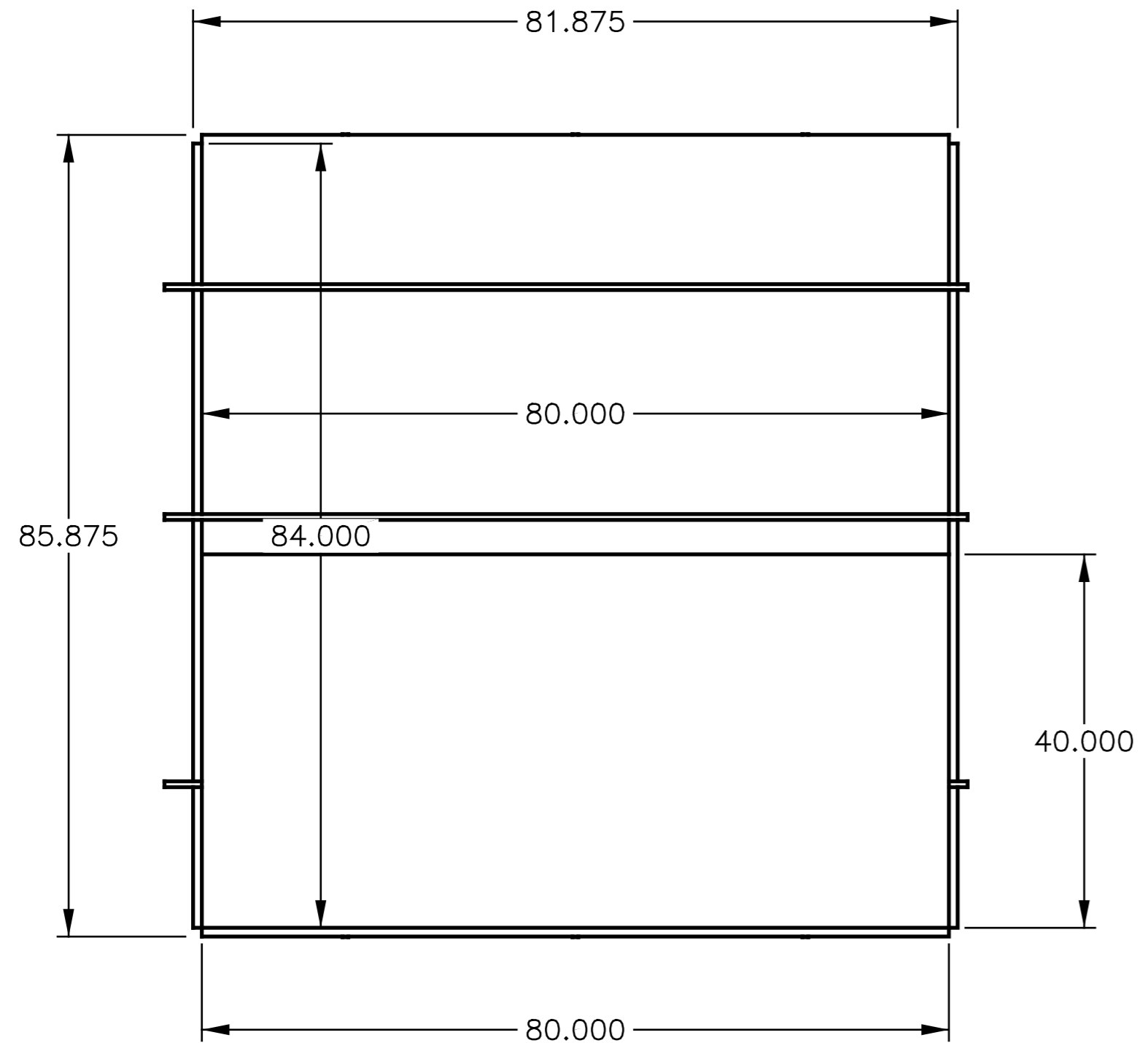
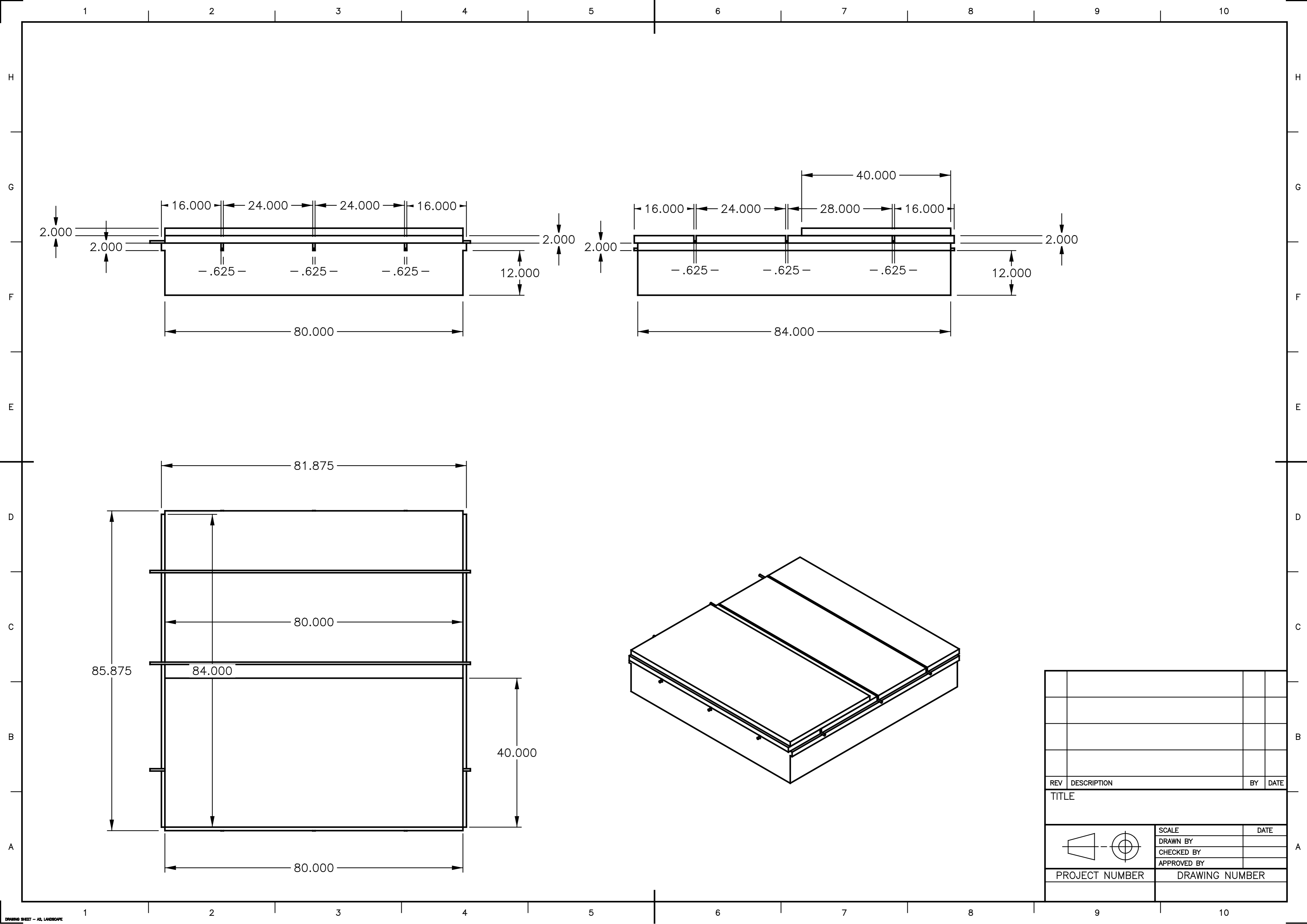


Figure 1 – Assembly of the lead stack in three stages. The bricks comprising the seventh and eighth layers are positioned to allow for six hollow tubes, which will be used to place the Cf-252 source. Each lead brick measures 2" x 4" x 8". See following page for detailed schematic.



REV	DESCRIPTION	BY	DATE
TITLE			
SCALE		DATE	
DRAWN BY			
CHECKED BY			
APPROVED BY			
PROJECT NUMBER		DRAWING NUMBER	