

HAMAMATSU

TECHNICAL DATA SHEET

PHOTOMULTIPLIER TUBES

R 6 7 6 4 - 0 1

Low Profile Photomultiplier Tubes
 For Scintillation Counting, Especially For Gamma Camera
 Square-Shaped(51mm×51mm)Envelope, High Space Efficiency
 Bialkali Photocathode, 8 Stages, Head-on Type

GENERAL:

Spectral Response	300 to 650 nm
Wavelength of Maximum Response	420 nm
Photocathode	
Material	Bialkali
Minimum Useful Size	45mm×45mm
Window Material	Borosilicate Glass
Dynode	
Structure	Box & Line Combination
Number of Stages	8
Net Weight (approx.)	120 g

MAXIMUM RATINGS (Absolute Maximum Values):

Supply Voltage	
Between Anode and Cathode	1500 Vdc
Average Anode Current	0.1 mA
Ambient Temperature	-30°C to +50°C

CHARACTERISTICS (at 25°C):

	Min.	Typ.	Max.	Units
Anode Sensitivity				
Luminous (2856K)	3	30	—	A/lm
Cathode Sensitivity				
Luminous (2856K)	80	110	—	μ A/lm
Blue (with CS No.5-58 filter)	10.0	12.0	—	μ A/lm-b
Quantum Efficiency at 420 nm	—	30.0	—	%
Current Amplification	—	2.7×10 ⁵	—	
Anode Dark Current (after 30min)	—	2	20	nA
Anode Pulse Rise Time at 1000V	—	5.0	—	ns
Pulse Height Resolution				
with 2"dia. × 2"thick. NaI(Tl), 57Co	—	8.3	—	%

VOLTAGE DISTRIBUTION RATIO AND SUPPLY VOLTAGE:

Electrodes :	K	G	Dy1	Dy2	Dy3	Dy4	Dy5	Dy6	Dy7	Dy8	P
Ratio :	2	2	1	1	1	1	1	1	1	1	1

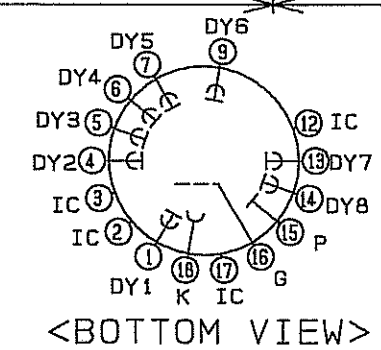
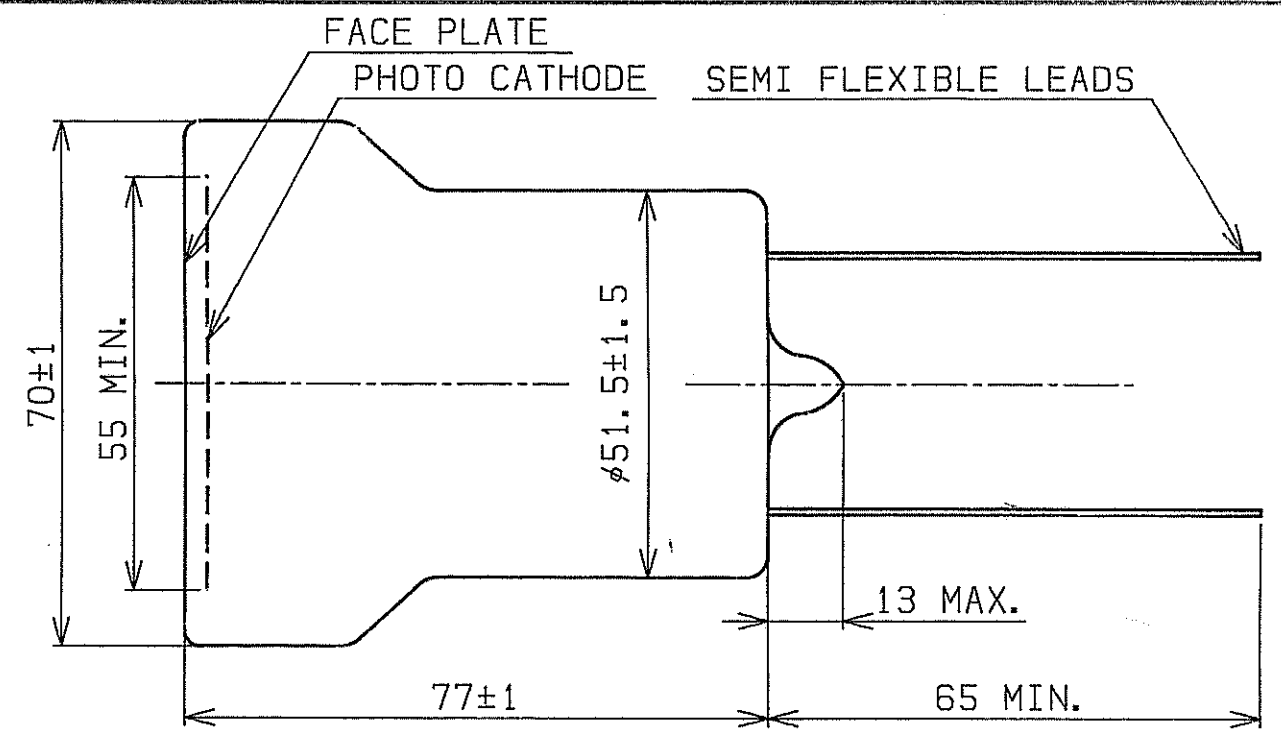
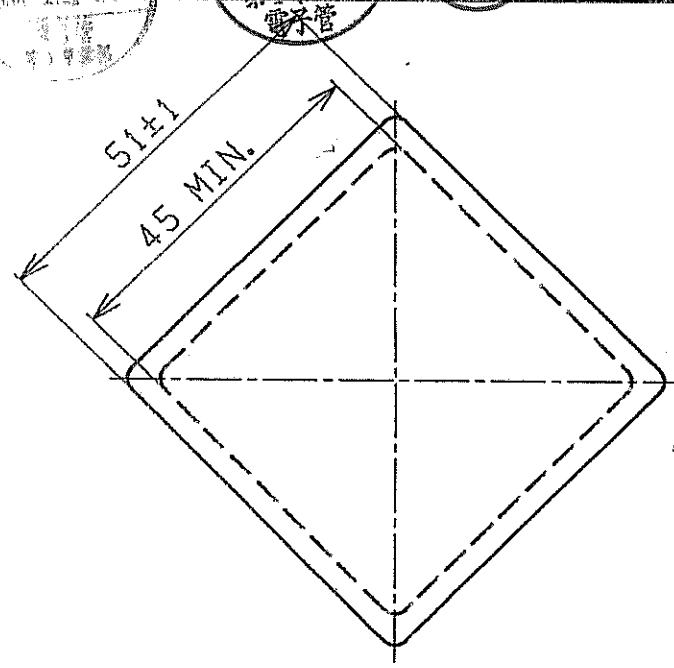
Supply Voltage : 1000Vdc K:Cathode Dy:Dynode P:Anode G:Grid

原図
2002.12.17
第1事業部
電子管

元図
2002.12.17
第1事業部
電子管

写

2 3 4 5



UNIT : mm

GENERAL TOLERANCE 一般公差				ALT.	MARK	REASON	SIGN.	DATE	MATRL. 材質	SCALE 尺度	DATE	TITLE 品名
DIMENSION 区分	A	B	C							1/1	2002.10.18	DIMENSIONAL OUTLINE
≤6	±0.10	±0.20	±0.30						Q'TY. 個數	FINISH 仕上		FOR R6764-01
6 < ≤30	±0.15	±0.25	±0.50									
30 < ≤120	±0.25	±0.35	±0.80						TRTM. 処理	PAINT 塗装		DRAW.NO. 図面番号
120 < ≤500	±0.40	±0.50	±1.40									DD6764-B02A
500 <	±0.80	±1.00	±2.00									

APPD.承認
CHCK.検図
DESN.設計
DFT.製図

HAMAMATSU PHOTONICS K.K.