

## For Gamma Camera and Scintillation Counting, Low Profile, High P. H. R.

Type. No.	Cathode Sensitivity			Anode Sensitivity					Rise Time (ns)	P.H.R.* <sup>3</sup> (%)	Stability* <sup>4</sup> (%)
	Luminous (μA/lm)	Blue * <sup>1</sup> (μA/lm-b)	Q.E.* <sup>2</sup> (%)	Luminous (A/lm)	Blue * <sup>1</sup> (A/lm-b)	Dark Current (nA)	Gain	Ebb (Vdc)			
	Typ.	Typ.	Typ.	Typ.	Typ.	Typ.	Typ.	Typ.			
R6231-01 (51mm Dia.)	110	12.0	30	30	3.5	2	2.7 × 10 <sup>5</sup>	1000	5.0	8.5/a	0.5
R6232-01 (60mm Dia.)	110	12.0	30	30	3.5	2	2.7 × 10 <sup>5</sup>	1000	6.0	8.3/a	0.5
R6233-01 (76mm Dia.)	110	12.0	30	30	3.5	2	2.7 × 10 <sup>5</sup>	1000	6.0	8.5/b	0.5
R6234-01 (60mm Hex.)	110	12.0	30	30	3.5	2	2.7 × 10 <sup>5</sup>	1000	6.0	8.3/a	0.5
R6235-01 (76mm Hex.)	110	12.0	30	30	3.5	2	2.7 × 10 <sup>5</sup>	1000	6.0	8.3/b	0.5
R6236-01 (60mm Squ.)	110	12.0	30	30	3.5	2	2.7 × 10 <sup>5</sup>	1000	6.0	8.3/a	0.5
R6237-01 (76mm Squ.)	110	12.0	30	30	3.5	2	2.7 × 10 <sup>5</sup>	1000	6.0	8.3/b	0.5

\*1: Filter: CORNING CS-5-58 polished to 1/2 stock thickness

\*2: At 420 nm

\*3: Measured with an NaI (TI) scintillator and a <sup>57</sup>Co source.

a: 51 mm(2") diameter × 51 mm(2") thickness, b: 76 mm(3") diameter × 76 mm(3") thickness

\*4: This is defined as follows under the operation for 16 hours at a constant count rate of 1k cps:

$$Dg = \frac{\sum_{i=1}^n |P - P_i|}{n} \cdot \frac{100}{P} (\%)$$

Where P is the mean pulse height averaged over n readings, P<sub>i</sub> is the pulse height at the i-th reading, and n is the total number of readings.

### VOLTAGE DISTRIBUTION RATIO AND SUPPLY VOLTAGE

Electrodes	K	G	Dy1	Dy2	Dy3	Dy4	Dy5	Dy6	Dy7	Dy8	P
Ratio	2	2	1	1	1	1	1	1	1	1	1

Supply Voltage: 1000Vdc, K: Cathode, Dy: Dynode, P: Anode G: Grid

**NOTE:** Standard Bleeder Assembly or Custom Designed Bleeder Assembly will be provided upon your requests.

# PHOTOMULTIPLIER TUBES FOR GAMMA CAMERA

Figure 1: Typical Spectral Response

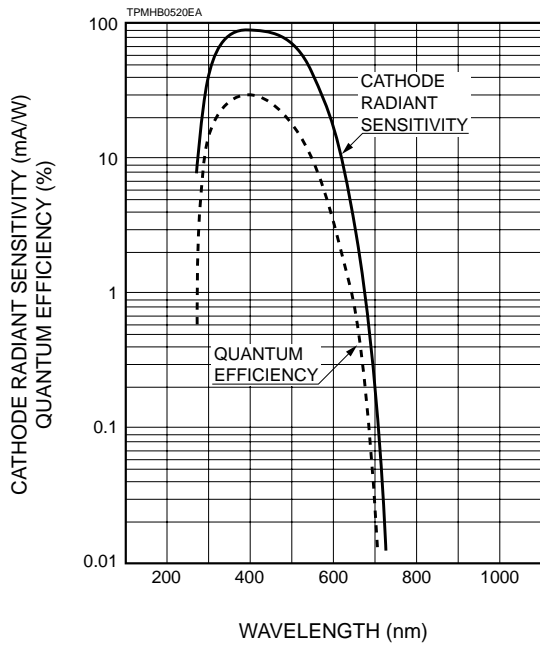
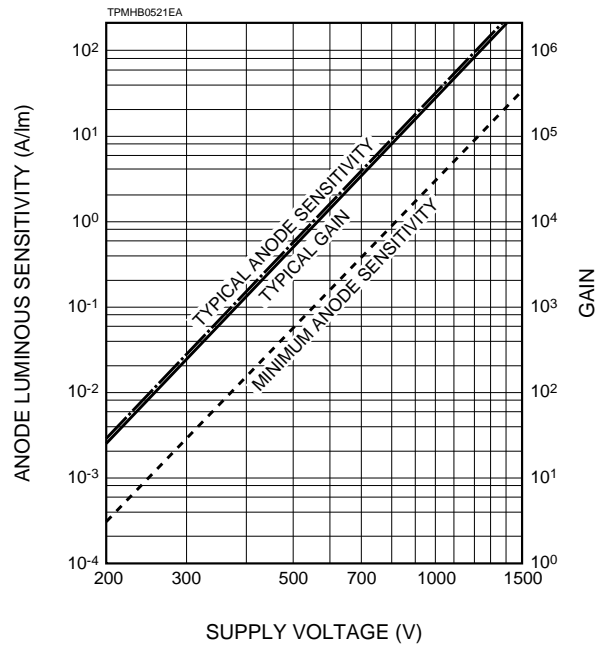
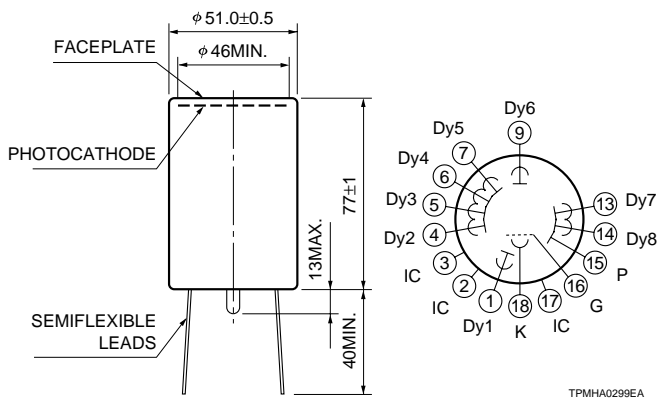


Figure 2: Anode Sensitivity and Gain Characteristic



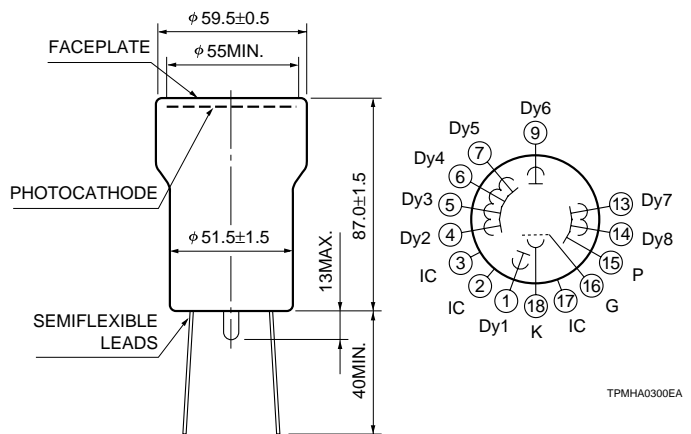
Dimensional Outlines and Basing Diagrams (Unit: mm)

**R6231-01**



TPMHA0299EA

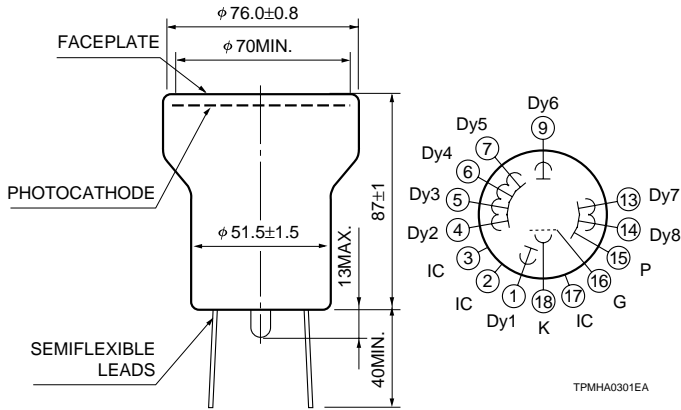
**R6232-01**



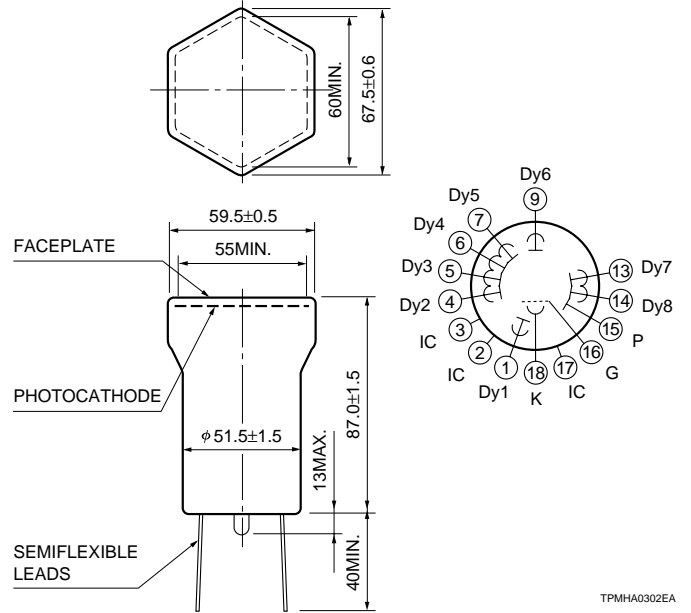
TPMHA0300EA

Dimensional Outlines and Basing Diagrams (Unit: mm)

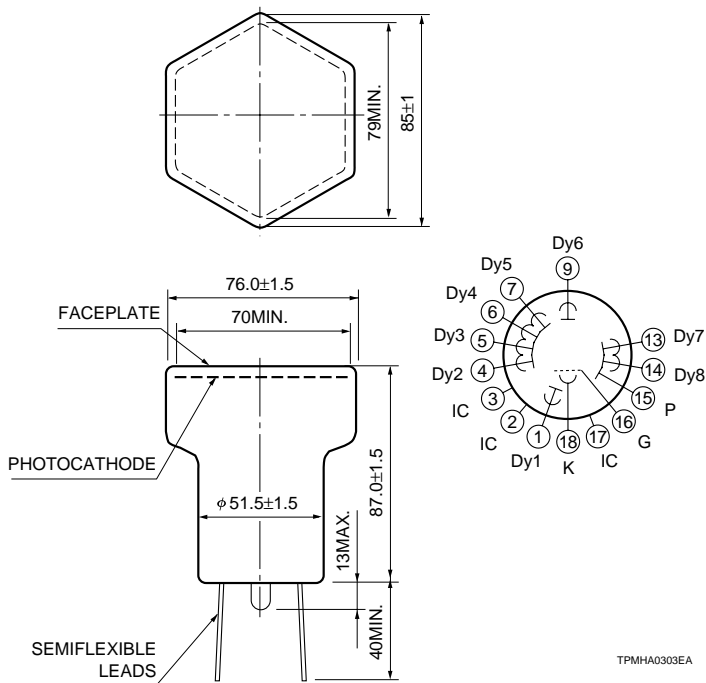
**R6233-01**



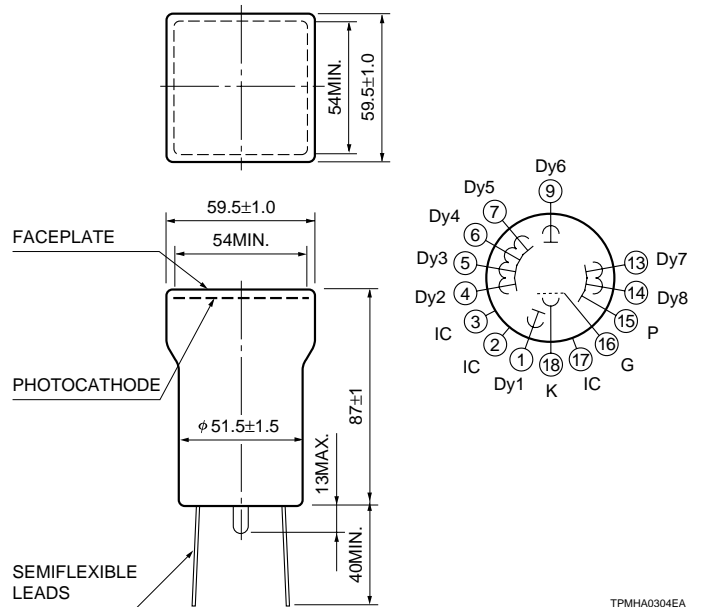
**R6234-01**



**R6235-01**



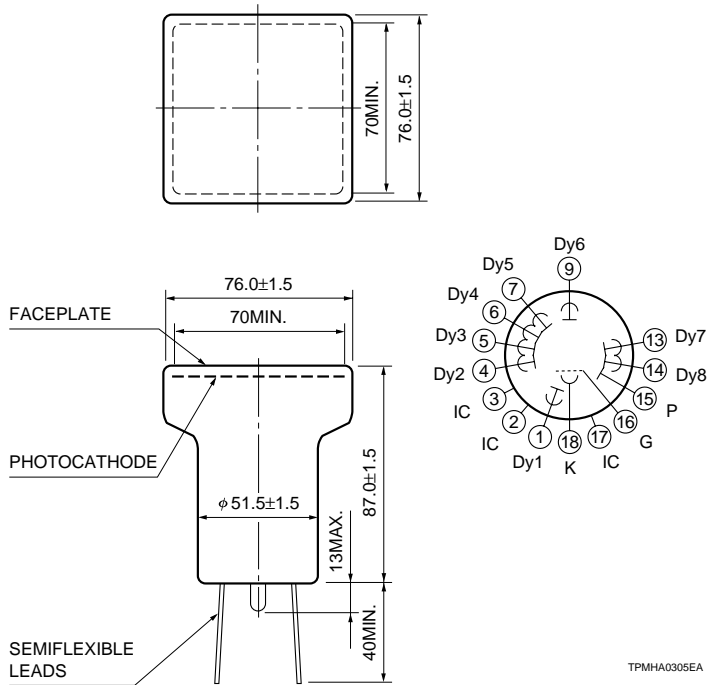
**R6236-01**



# PHOTOMULTIPLIER TUBES FOR GAMMA CAMERA

Dimensional Outlines and Basing Diagrams (Unit: mm)

## R6237-01



# HAMAMATSU

HAMAMATSU PHOTONICS K.K., Electron Tube Center

314-5, Shimokanzo, Toyooka-village, Iwata-gun, Shizuoka-ken, 438-0193, Japan, Telephone: (81)539/62-5248, Fax: (81)539/62-2205

U.S.A.: Hamamatsu Corporation: 360 Foothill Road, P. O. Box 6910, Bridgewater, N.J. 08807-0910, U.S.A., Telephone: (1)908-231-0960, Fax: (1)908-231-1218

Germany: Hamamatsu Photonics Deutschland GmbH: Arzbergerstr. 10, D-82211 Herrsching am Ammersee, Germany, Telephone: (49)8152-375-0, Fax: (49)8152-2658

France: Hamamatsu Photonics France S.A.R.L.: 8, Rue du Saule Trapu, Parc du Moulin de Massy, 91882 Massy Cedex, France, Telephone: (33)1 69 53 71 00, Fax: (33)1 69 53 71 10

United Kingdom: Hamamatsu Photonics UK Limited: Lough Point, 2 Gladbeck Way, Windmill Hill, Enfield, Middlesex EN2 7JA, United Kingdom, Telephone: (44)181-367-3560, Fax: (44)181-367-6384

North Europe: Hamamatsu Photonics Norden AB: Smidesvägen 12, SE-171-41 SOLNA, Sweden, Telephone: (46)8-509-031-00, Fax: (46)8-509-031-01

Italy: Hamamatsu Photonics Italia: S.R.L.: Strada della Moia, 1/E, 20020 Arese, (Milano), Italy, Telephone: (39)02-935 81 733, Fax: (39)02-935 81 741

TPMH1133E02

MAR. 1999

Printed in Japan (1000)